



SECO International Inc.

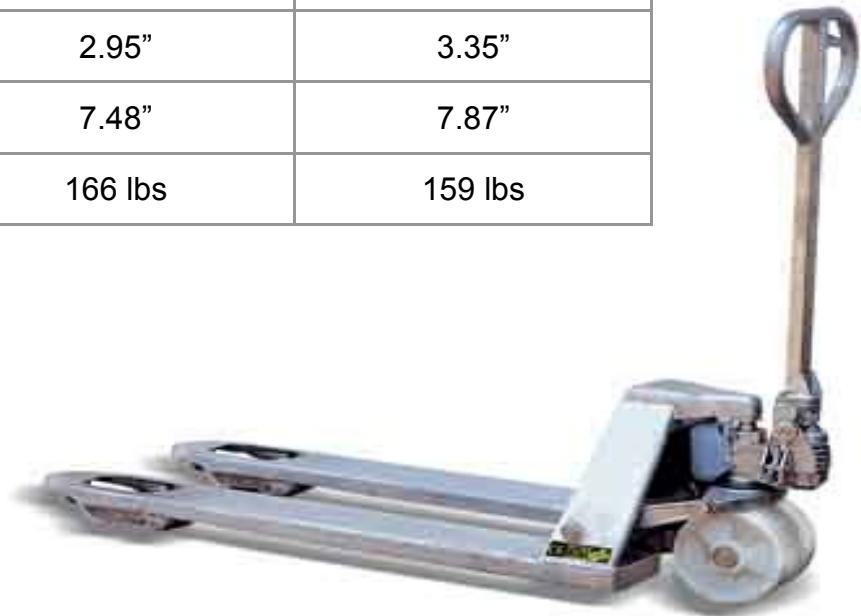
YOUR TRUSTED PARTNER IN MATERIAL HANDLING EQUIPMENT

GALVANIZED HAND PALLET TRUCKS

- For wet and refrigerated environments
- Features fully galvanized mainframe, brackets, wheel forks and push rods
- Completely galvanized pump
- Tandem nylon load rollers & steering wheels

MODEL	USMH00180	USMH00181
CAPACITY	4,400 lbs	4,400 lbs
FORK LENGTH	48"	48"
FORK WIDTH	27"	21"
LOW HEIGHT	2.95"	3.35"
RAISED HEIGHT	7.48"	7.87"
NET WEIGHT	166 lbs	159 lbs

MIXABLE



**FOR SPECIALIZED SANITARY AND CLEAN ROOM APPLICATIONS,
ASK ABOUT OUR ALL STAINLESS STEEL PALLET JACKS.**



CONTACT US

www.seco-international.com
sales@seco-international.com

SECO. TRADING THE FUTURE.