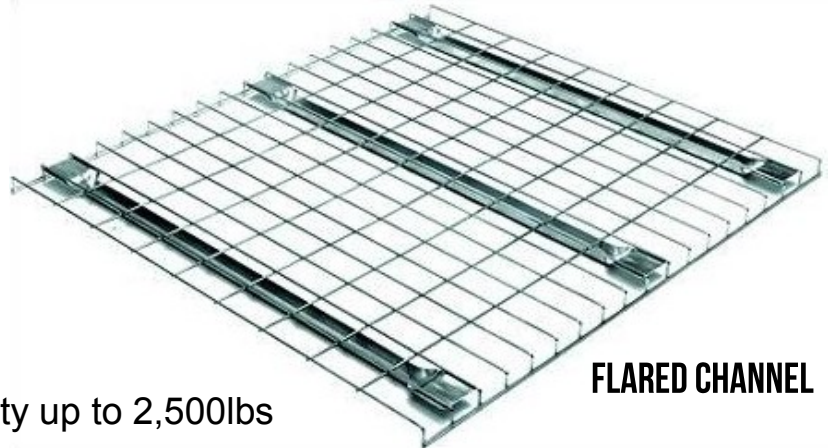




## WIRE DECKING

- 6 ga wire thickness
- zinc plated surface
- four support channels
- deckings can handle a capacity up to 2,500lbs



MODEL	SIZE (W X L)	WIRE MESH	CHANNEL STYLE	CAPACITY
USMH00529	42" x 46"	2.5" x 4"	Step	2,500 lbs
USMH00530	42" x 46"	2" x 4"	Flared	2,500 lbs
USMH00531	42" x 52"	2.5" x 4"	Step	2,500 lbs
USMH00532	42" x 52"	2" x 4"	Flared	2,500 lbs
USMH00533	48" x 46"	2.5" x 4"	Step	2,500 lbs
USMH00534	48" x 46"	2" x 4"	Step	2,500 lbs
USMH00535	48" x 46"	2" x 4"	Flared	2,500 lbs



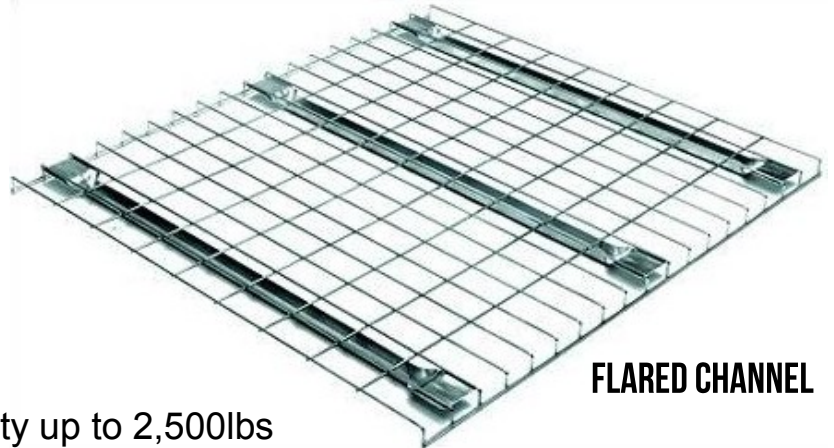
### CONTACT US

[www.seco-international.com](http://www.seco-international.com)  
[sales@seco-international.com](mailto:sales@seco-international.com)



## WIRE DECKING

- 6 ga wire thickness
- zinc plated surface
- four support channels
- deckings can handle a capacity up to 2,500lbs



MODEL	SIZE (W X L)	WIRE MESH	CHANNEL STYLE	CAPACITY
USMH00522	42" x 46"	2.5" x 4"	Step	2,500 lbs
USMH00523	42" x 46"	2" x 4"	Flared	2,500 lbs
USMH00524	42" x 52"	2.5" x 4"	Step	2,500 lbs
USMH00525	42" x 52"	2" x 4"	Flared	2,500 lbs
USMH00526	48" x 46"	2.5" x 4"	Step	2,500 lbs
USMH00527	48" x 46"	2" x 4"	Step	2,500 lbs
USMH00528	48" x 46"	2" x 4"	Flared	2,500 lbs



**MIXABLE**



### CONTACT US

[www.seco-international.com](http://www.seco-international.com)  
[sales@seco-international.com](mailto:sales@seco-international.com)