

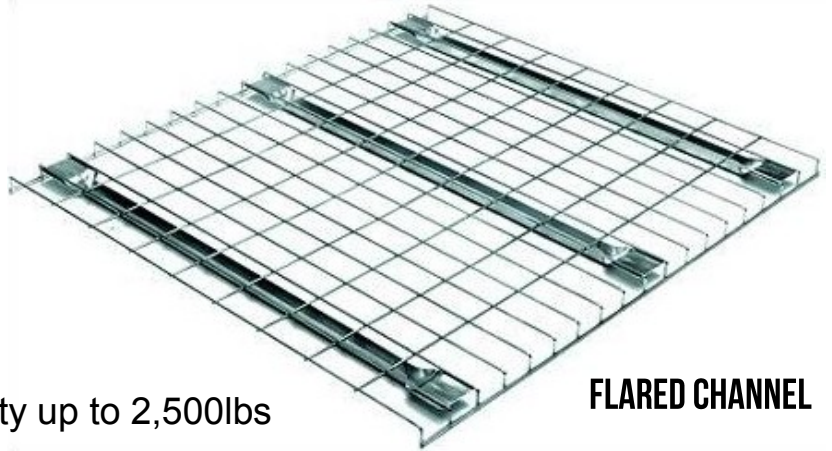


SECO International Inc.

YOUR TRUSTED PARTNER IN MATERIAL HANDLING EQUIPMENT

WIRE DECKING

- 6 ga wire thickness
- zinc plated surface
- three support channels
- deckings can handle a capacity up to 2,500lbs



FLARED CHANNEL

MODEL	SIZE (W X L)	WIRE MESH	STYLE	CAPACITY
USMH00508	42" x 46"	2.5" x 4"	Step	2,500 lbs
USMH00509	42" x 46"	2" x 4"	Flared	2,500 lbs
USMH00510	42" x 52"	2.5" x 4"	Step	2,500 lbs
USMH00511	42" x 52"	2" x 4"	Flared	2,500 lbs
USMH00512	48" x 46"	2.5" x 4"	Step	2,500 lbs
USMH00513	48" x 46"	2" x 4"	Step	2,500 lbs
USMH00514	48" x 46"	2" x 4"	Flared	2,500 lbs



STEP CHANNEL

MIXABLE



CONTACT US

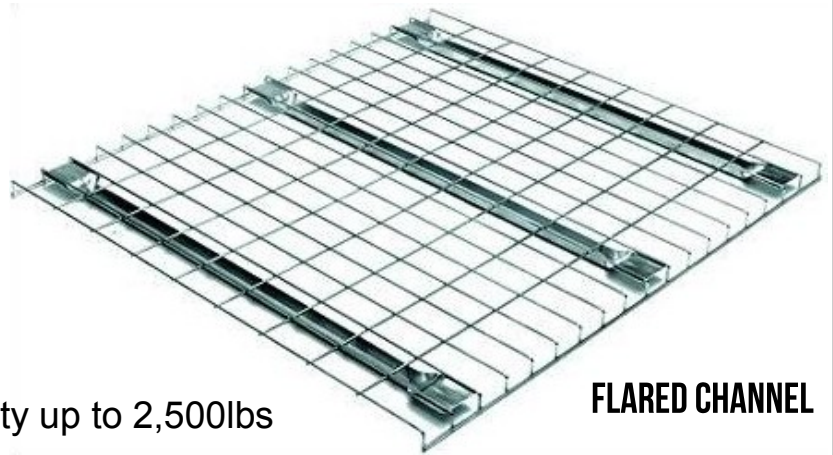
www.seco-international.com
sales@seco-international.com

SECO. TRADING THE FUTURE.



WIRE DECKING

- 6 ga wire thickness
- zinc plated surface
- three support channels
- deckings can handle a capacity up to 2,500lbs



MODEL	SIZE (W X L)	WIRE MESH	STYLE	CAPACITY
USMH00515	42" x 46"	2.5" x 4"	Step	2,500 lbs
USMH00516	42" x 46"	2" x 4"	Flared	2,500 lbs
USMH00517	42" x 52"	2.5" x 4"	Step	2,500 lbs
USMH00518	42" x 52"	2" x 4"	Flared	2,500 lbs
USMH00519	48" x 46"	2.5" x 4"	Step	2,500 lbs
USMH00520	48" x 46"	2" x 4"	Step	2,500 lbs
USMH00521	48" x 46"	2" x 4"	Flared	2,500 lbs



CONTACT US

www.seco-international.com
sales@seco-international.com